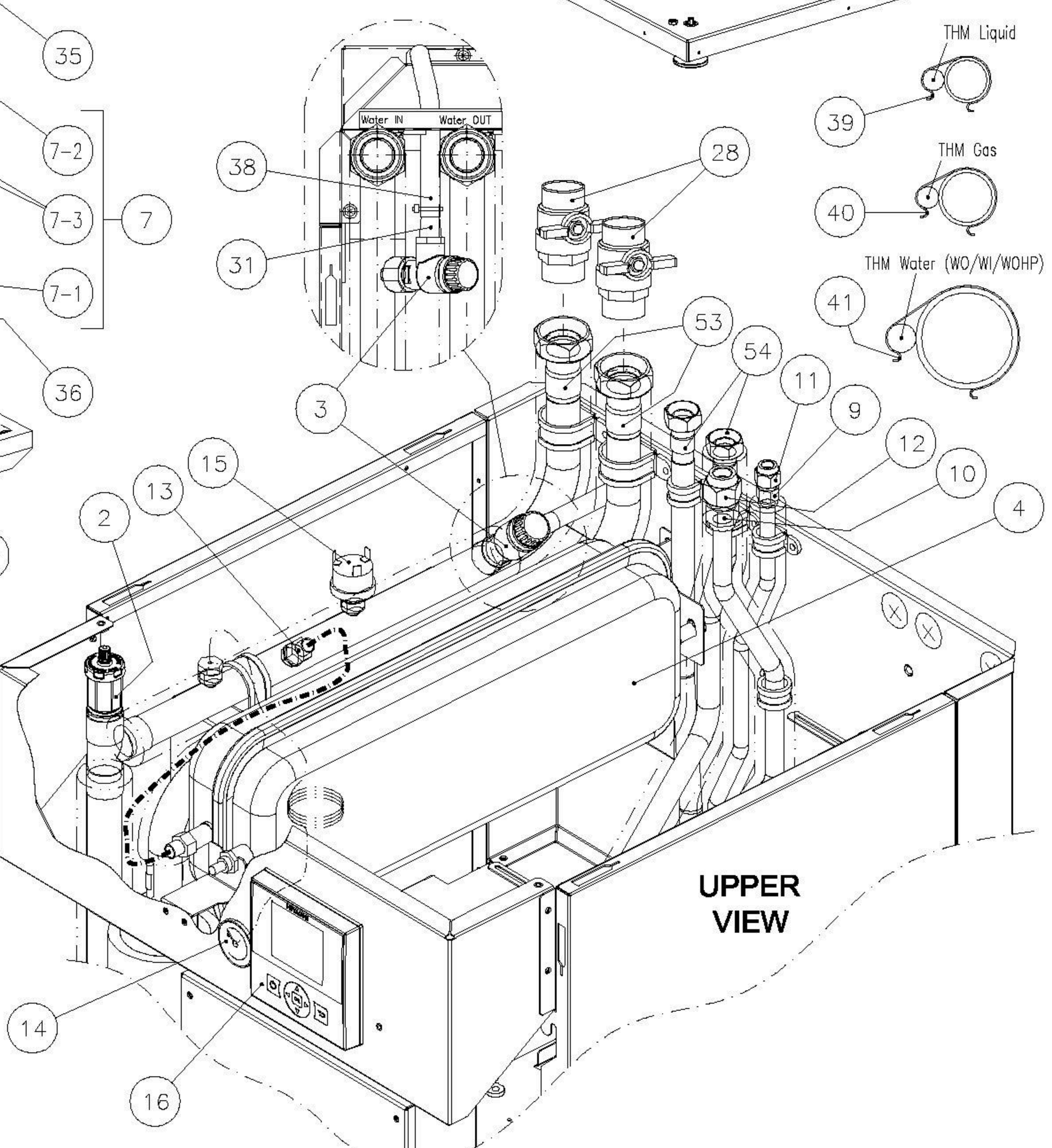


Gasket attaching instruction.

Gasket	Connections:
17	-Electric Heater, 1-1/2"
18	-Mini Valve, 3/8"
19	-Flow Meter, $\phi 27 \times \phi 22 \times \phi 2.5$
20	-3 Way Valve, 1"
21	-Water IN/OUT, 1-1/4"
22	-DHWI IN/OUT, 3/4"
	-Tank IN/OUT, 3/4"



WATER STRAINER 8 (PARTS)

