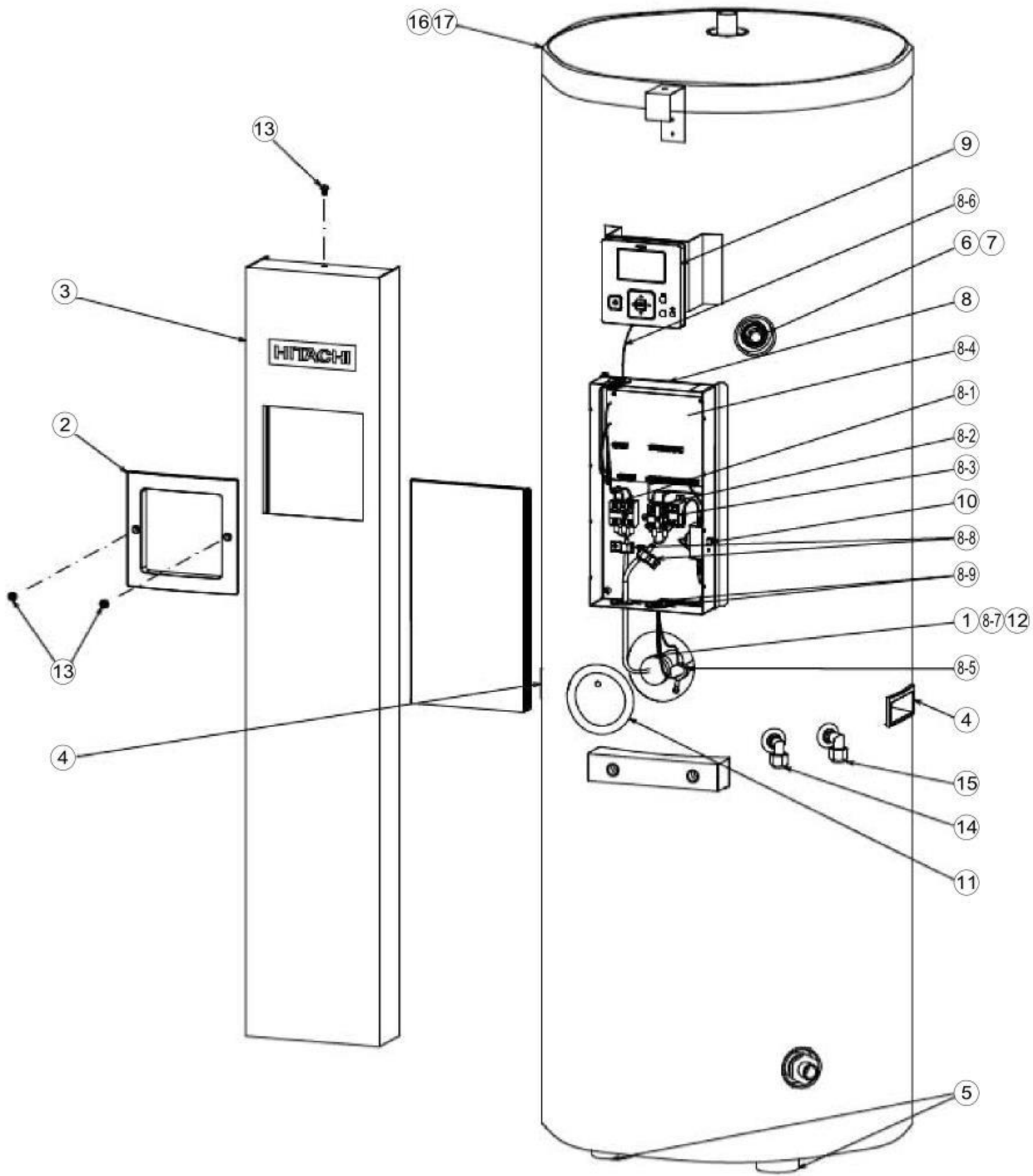


LOCATION OF SPARE PARTS IN THE UNIT

TAW-190NHB  
TAW-270NHB



EPN-201706B